



**Your Company Name**  
 123 Company Lane - New York, NY 12345  
 Tel. (123) 456-7890 - Fax. (123) 456-7890

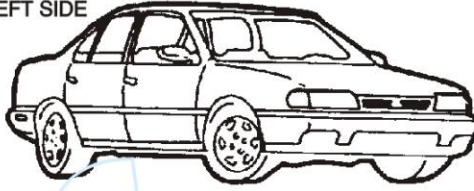
NAME AND PRESENT ADDRESS:	VEHICLE:	DESTINATION ADDRESS:
	MODEL:	
	YEAR:	
	VIN NUMBER:	
ORIGIN AGENT: ORIGIN PORT: REMARKS/EXCEPTIONS ORIGIN:	<b>NOTICE: USE OF THIS FORM IS MANDATORY.</b> Condition Inspection Reports must be completed and signed jointly by insured and Agent at Origin & Destination. WE WILL NOT PAY A CLAIM WITHOUT IT.	DESTINATION AGENT: DESTINATION PORT: REMARKS/EXCEPTIONS DESTINATION:

MARK ITEM BEING MOVED: Auto  Motorcycle  Boat  TRL


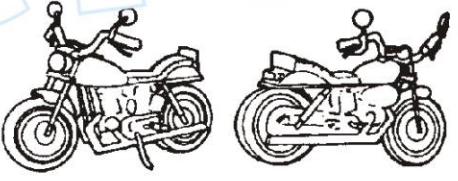

ORIGIN		ODOMETER		DESTINATION
	Cust. Initials	Mileage	Mileage	Cust. Initials

Condition of Interior Origin:

LEFT SIDE



RIGHT SIDE

**CHECK LIST**

Battery Disconnected	
Spare Tire (Brand Name/Temp.)	
Jack	
Cassette Deck	
CD Player	
Radio AM/FM	
CB Radio	
Air Conditioning	
Exhaust System/Muffler/Tailpipe	
Floor Mats (How Many?)	
Other	

List Non-Factory Installed Accessories

Total Value of these Accessories:

It is the shipper's responsibility to make sure that the cooling system is protected from freezing. Carrier cannot be responsible for damage due to freezing.

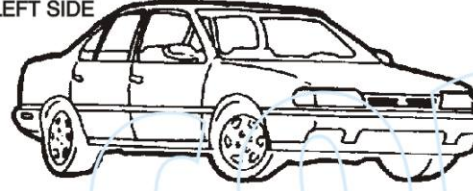
**SAFETY FIRST - PREVENT FIRES BY DISCONNECTING BATTERY CABLE.**  
 OTHER ITEMS ARE NOT TO BE LOADED INSIDE, ON TOP OF OR UNDERNEATH THE AUTO.

**EXCEPTION SYMBOLS**

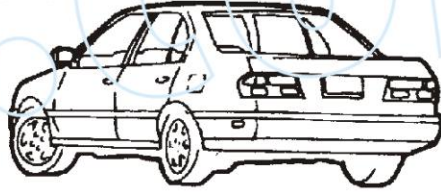
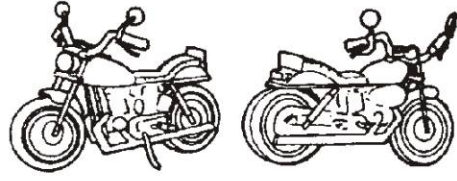

BE - BENT	MI - MILDEW
BR - BROKEN	P - PITTED
BU - BURNED	R - RUBBED
C - CAVED	RU - RUSTED
CH - CHIPPED	SC - SCRATCHED
D - DENTED	SH - SHORT
F - FADED	SO - SOILED
G - GOUGED	T - TORN
L - LOOSE	W - BADLY WORN
M - MAFRED	Z - CRACKED

Condition of Interior Destination:

LEFT SIDE



RIGHT SIDE

INDICATE CERTIFICATE # TO BE USED:	AMOUNT TO BE INSURED (U.S. DOLLARS):
------------------------------------	--------------------------------------

ORIGIN: "We have checked the items listed and acknowledge that this is the state of the goods received."

DESTINATION: "We have checked the items listed and acknowledge that this is the state of the goods received."

Contractor, Carrier or Authorized Agent (Driver)	Date	Contractor, Carrier or Authorized Agent (Driver)	Date
Signature		Signature	
Owner or Authorized Agent	Date	Owner or Authorized Agent	Date
Signature		Signature	