

# INVOICE #

STAMP HERE  
YOUR  
COMPANY NAME

**SHIP TO:**

Name \_\_\_\_\_  
 Address \_\_\_\_\_  
 City/State/Zip \_\_\_\_\_  
 Tel. \_\_\_\_\_  
 Cell/email \_\_\_\_\_

**BILL TO:**

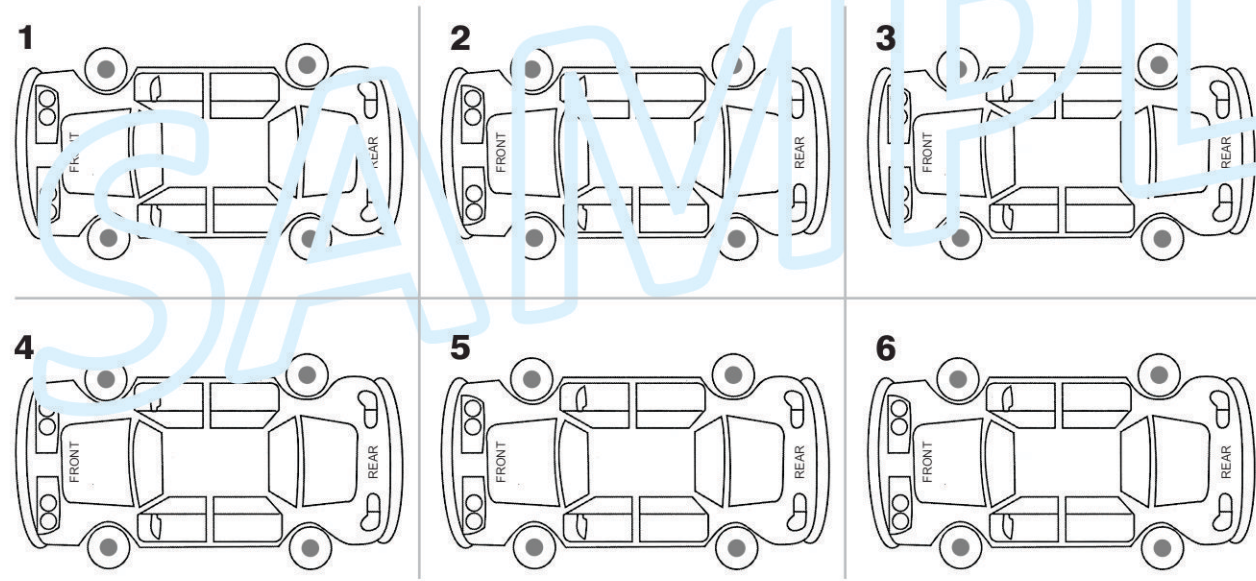
Name \_\_\_\_\_  
 Address \_\_\_\_\_  
 City/State/Zip \_\_\_\_\_

**SHIP FROM:**

Name \_\_\_\_\_  
 Address \_\_\_\_\_  
 City/State/Zip \_\_\_\_\_  
 Tel. \_\_\_\_\_  
 Cell/email \_\_\_\_\_

Date: \_\_\_\_\_

CAR	YEAR	MAKE	MODEL	SERIAL # - LAST 8	NOTES
1					
2					
3					
4					
5					
6					



- CHART OF IDENTIFICATION CODE**
- B** - Bent
  - BB** - Butler Burned
  - B** - RBroken
  - C** - Cut
  - CR** - Cracked
  - D** - Denied
  - F** - Faded
  - FF** - Foreign Fluid
  - G** - Gouged
  - L** - Loose
  - M** - Missing
  - P** - Pitted
  - PC** - Paint Chip
  - R** - Rubbed
  - RU** - Rust
  - SL** - Scratched
  - SS** - Soiled
  - SS** - Surface Scratch
  - ST** - Stained
  - T** - Tom

**Vehicle Condition:** Driver's Signature: \_\_\_\_\_ Date: \_\_\_\_\_

During transport vehicles and vehicle equipment may cease to operate properly do to no fault of the transporter. The transport company **WILL NOT** be responsible for damage that is not directly caused by the transport driver.

THE CONSIGNEE HAS RECEIVED ABOVE LISTED VEHICLE WITH NO TRANSPORTATION DAMAGES NOTED. OR HAS MADE SUCH EXCEPTIONS ON INSPECTION SHEETS.

DATE OF DELIVERY: \_\_\_\_\_  
 INSPECTED BY: \_\_\_\_\_  
 SIGNATURE: \_\_\_\_\_ DATE \_\_\_\_\_  
 PRINT NAME: \_\_\_\_\_  
 CONSIGNOR AGREES TO RATE, TERM & CONDITIONS

Check # \_\_\_\_\_  Cash  C.O.D.

CC# \_\_\_\_\_

Exp. \_\_\_\_\_ CVC \_\_\_\_\_

# \_\_\_\_\_ UNITS @ \$ \_\_\_\_\_ = \$ \_\_\_\_\_  
 PUSH ON / OVERSIZE / SUV'S UNITS @ \_\_\_\_\_ = \$ \_\_\_\_\_

**PAY THE AMOUNT** ➤ \$ \_\_\_\_\_